

ATWOOD WATER HEATER LIMITED WARRANTY

Atwood Mobile Products warrants to the original owner and subject to the below mentioned conditions, that this product will be free of defects in material or workmanship for a period of two years from the original date of purchase. Atwood's liability hereunder is limited to the replacement of the product, repair of the product, or replacement of the product with a reconditioned product at the discretion of the manufacturer. This warranty is void if the product has been damaged by accident, unreasonable use, neglect, tampering or other causes not arising from defects in material workmanship. This warranty extends to the original owner of the product only and is subject to the following conditions:

- For a period of two years from the date of purchase, Atwood will replace the complete water heater if the inner tank leaks due to corrosion. This warranty includes reasonable labor charges required to replace the complete water heater.
- For two years from the date of purchase, Atwood will repair or replace any part defective in material or workmanship. This warranty includes reasonable labor charges, required to remove and replace the part. Service calls to customer's location are not considered part of these charges and are, therefore, the responsibility of the owner.
- This warranty does not cover the following items classified as normal maintenance:
 - adjustment of gas pressure
 - cleaning or replacement of burner orifice
 - cleaning or adjustment of burner tube
 - cleaning or adjustment of flue
 - cleaning or adjustment of pilot and thermocouple
 - adjustment of pressure-temperature relief valve
 - replacement of thermal cut-off device.
- In the event of a warranty claim, the owner must contact, in advance, either an authorized Atwood Service Center or the Atwood Service Department. Warranty claim service must be**

performed at an authorized Atwood Service Center (a list will be provided at no charge) or as approved by the Consumer Service Department, Atwood Mobile Products, 1120 North Main St., Elkhart, IN 46514 USA. Phone: (574-264-2131).

- Return parts (or water heater) must be shipped to Atwood "Prepaid". Credit for shipping costs will be included with the warranty claim. The defective parts (or water heater) become the property of Atwood Mobile Products and must be returned to the Consumer Service Department, Atwood Mobile Products, 6320 Kelly Willis Road, Greenbrier, TN 37073 USA.
- This warranty applies only if the unit is installed according to the installation instructions provided and complies with local and state codes.
- The warranty period on replacement parts (or water heater) is the unused portion of the original warranty period or ninety (90) days, whichever is greater.
- Damage or failure resulting from misuse (including failure to seek proper repair service), misapplication, alterations, water damage, or freezing are the owner's responsibility.
- Atwood does not assume responsibility for any loss of use of vehicle, loss of time, inconvenience, expense for gasoline, telephone, travel, lodging, loss or damage to personal property or revenues. Some states do not allow the exclusion or limitation of incidental or consequential damages, so the above limitations or exclusions may not apply to you.
- Any implied warranties are limited to two (2) years. Some states do not allow limitations on how long an implied warranty lasts, so the above limitation may not apply to you. This warranty gives you specific legal rights and you may also have other rights which vary from state to state.
- Replacement parts (components or tanks) purchased outside of the original water heater warranty carry a 90 day warranty. This includes the part at no charge and reasonable labor charges to replace it.

This Atwood heater is designed for use in recreational vehicles for the purpose of heating water as stated in the "data plate" attached to the water heater. Any other use, unless authorized in writing by the Atwood Engineering Department, voids this warranty.

GARANTIE LIMITÉE POUR CHAUFFE-EAU ATWOOD

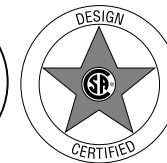
Atwood Mobile Products garantit ce produit à l'acheteur initial, suivant les termes stipulés ci-dessous, contre tout défaut de matériel ou de fabrication, pendant une période de deux ans à compter de la date d'achat d'origine. La responsabilité d'Atwood décrite ci-dessous se limite au remplacement, à la réparation ou au remplacement du produit par un produit reconditionné, à la discrétion du fabricant. La présente garantie est annulée si le produit est endommagé du fait d'un accident, d'une utilisation non raisonnable, d'une négligence, d'une modification du produit ou de toute autre cause non liée au matériau ou à un vice de fabrication. La présente garantie ne s'applique qu'à l'acheteur initial et elle est soumise aux conditions suivantes :

- Pendant une période de deux ans, à compter de la date d'achat, Atwood remplacera tout le chauffe-eau si le réservoir interne fuit pour des raisons de corrosion. La présente garantie couvre les frais raisonnables de main-d'œuvre nécessaires au remplacement du chauffe-eau.
- Pendant deux ans, à compter de la date d'achat, Atwood réparera ou remplacera toute pièce trouvée défectueuse en raison du matériau ou d'un vice de fabrication. La présente garantie couvre les frais raisonnables de main-d'œuvre nécessaires au retrait et au remplacement de la pièce. Les visites pour l'entretien chez le client ne sont pas prises en charge et restent donc la responsabilité du client.
- La présente garantie ne couvre pas les articles suivants, qui sont considérés comme faisant partie de l'entretien régulier :
 - réglage de la pression du gaz
 - nettoyage ou remplacement de l'orifice du brûleur
 - nettoyage ou réglage du tube du brûleur
 - nettoyage ou réglage du conduit
 - nettoyage ou réglage de la veilleuse et du thermocouple
 - réglage de la soupape de décharge de type pression-température
 - remplacement du dispositif de coupure thermique
- Dans l'éventualité d'une réclamation de garantie, l'acheteur doit contacter, à l'avance, soit un Centre de service Atwood agréé, soit le Service à la clientèle Atwood. La réclamation de garantie doit être exécutée dans un Centre de service Atwood agréé (une liste vous sera fournie gratuitement) ou selon les procédures reconnues par le Service clientèle Atwood (Consumer Service Department) Atwood Mobile Products, 1120 North Main St., Elkhart IN 46514 États-Unis. Téléphone : (574) 264-2131.**

- Les pièces retournées (ou le chauffe-eau) doivent être expédiées à Atwood, tout port payé. Un avoir pour les frais d'expédition sera compris avec la réclamation de garantie. Les pièces défectueuses (ou le chauffe-eau) deviennent la propriété d'Atwood Mobile Products et doivent être retournées à Consumer Service Department, Atwood Mobile Products, 6320 Kelly Willis Road, Greenbrier, TN 37073 États-Unis.
- La présente garantie est valide uniquement si l'unité est installée selon les consignes d'installation fournies, en conformité avec les codes locaux et nationaux.
- La période de garantie pour les pièces de remplacement (ou le chauffe-eau) est la période inutilisée de la période de garantie initiale ou quatre-vingt-dix (90) jours, selon ce qui est le plus long.
- Tout dommage ou toute déficience résultant d'une mauvaise utilisation (y compris le manquement à faire effectuer les réparations nécessaires), d'une mauvaise mise en application, de modifications, de dommages causés par l'eau ou par le gel relèvent de la responsabilité de l'acheteur.
- Atwood n'est aucunement responsable de l'impossibilité d'utiliser le véhicule, de toute perte de temps, de tout dérangement et de tous frais d'essence, de téléphone, de déplacement, de logement, de perte ou de dommages aux biens personnels ou de perte de revenus. Certains États ne permettent pas l'exclusion ou la limitation des dommages accessoires ou indirects ; il est donc possible que les limitations ou exclusions ci-dessus ne s'appliquent pas à votre cas.
- Toute garantie implicite est limitée à une période de deux (2) ans. Certains États ne permettent pas de limiter la période d'une garantie implicite, donc il est possible que la limite ci-dessus ne vous concerne pas. La présente garantie vous accorde des droits légaux particuliers mais il est également possible que vous ayez certains droits supplémentaires, selon les États.
- Les pièces de remplacement (composantes ou réservoirs) achetées en dehors de la garantie initiale du chauffe-eau sont couvertes par une garantie de 90 jours ; ceci comprend la pièce sans frais et les frais raisonnables de main-d'œuvre découlant du remplacement.

Ce chauffe-eau Atwood est conçu pour utilisation en véhicule de plaisance et dans le but de chauffer l'eau comme le stipule la plaque signalétique fixée au chauffe-eau. Toute autre utilisation, à moins d'une autorisation écrite du Service technique Atwood, annule la présente garantie.


Atwood
Atwood Mobile Products LLC
 1120 North Main Street • Elkhart, IN 46514
PHONE: 574-264-2131 FAX: 574-262-2550
INTERNET: http://www.atwoodmobile.com



LITERATURE NUMBER MPD 93050

L.P. GAS
WATER HEATER
6 & 10 GALLON

XT® Models: G9EXT, GE9EXT, GEH9EXT
G16EXT, GE16EXT, GEH16EXT
 PATENT # 7,020,386

ENGLISH, FRANCAIS (et Canada)

•Installation •Operation •Maintenance

Effective 04/09/09

This water heater design has been certified by the Canadian Standards Association for installation in recreation vehicles. **This water heater is not for use in marine applications.**

SERVICE CALLS & QUESTIONS

Location and phone numbers of qualified Service Centers can be found at our website <http://www.atwoodmobile.com> or call 574-262-2655 to have a Service Center List mailed.

SAFETY ALERT SYMBOLS

Safety Symbols alerting you to potential personal safety hazards. Obey all safety messages following these symbols.



WARNING

avoid possible injury or death



CAUTION

avoid possible injury and/or property damage

Installation and service must be performed by a qualified Service Technician, Service Center, OEM or Gas Supplier.

DIMENSIONS

ALL MODEL	WIDTH	HEIGHT	DEPTH	SHIPPING WT.	
6 GALLON	16"	12.5"	18.5"	6 GALLON	25 lbs
10 GALLON	16"	15.5"	21.8"	10 GALLON	32 lbs



• If the information in this manual is not followed exactly, a fire or explosion may result causing property damage, personal injury or loss of life.

- Do not store or use gasoline or other flammable vapors and liquids in the vicinity of this or any other appliance.

WHAT TO DO IF YOU SMELL GAS

- Evacuate ALL persons from vehicle.
- Shut off gas supply at gas container or source.
- DO NOT touch any electrical switch, or use any phone or radio in vehicle.
- DO NOT start vehicle's engine or electric generator.
- Contact nearest gas supplier or qualified Service Technician for repairs.
- If you cannot reach a gas supplier or qualified Service Technician, contact the nearest fire department.
- DO NOT turn on gas supply until gas leak(s) has been repaired.



WATER HEATER	MODEL IDENTIFICATION	1
	DIMENSIONS	1
	WEIGHT	1

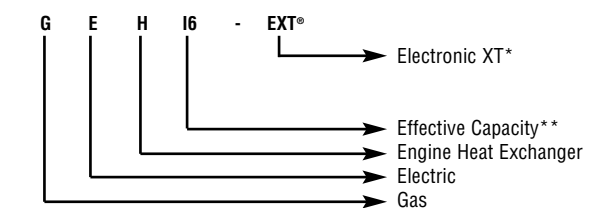
SAFETY INFORMATION

Water Heater GENERAL INSTALLATION

Wiring
 Cutout Chart
 Pressure - Temperature Relief Valve

Consumer Safety Warnings	2
How to Operate Your Water Heater	3-4
Maintenance and Care Instructions	4
Preventative Maintenance	4
Winterizing (Flushing) Instructions	5
Pressure-Temperature Relief Valve	5
Flushing to Remove Unpleasant Odor	5
FIGURES	6-7
PART IDENTIFICATION	8
Water Heater WARRANTY	16

EXPLANATION OF MODEL NUMBER



* EXT® indicates Electronic Exothermic (XT) technology.

** Water heater actual capacity is 6 and 10 gallon respectively. Effective capacity, calculated gallons of 130°F moderated water is 9 gallons and 16 gallons.

⚠ CRITICAL INSTALLATION WARNINGS

- Install in recreation vehicles only. RV's are recreation vehicles designed as temporary living quarters for recreation, camping, or travel use having their own power or towed by another vehicle.
- All combustion air must be supplied from outside the RV, and all products of combustion must be vented to outside the RV.
- DO NOT vent water heater with venting system serving another appliance.
- DO NOT vent water heater to an outside enclosed porch area.
- Protect building materials from flue gas exhaust.
- Install water heater on an exterior wall, with access door opening to outdoors.
- DO NOT modify water heater in any way.
- DO NOT alter water heater for a positive grounding system.
- DO NOT HI-POT water heater unless electronic ignition system (circuit board) has been disconnected.
- DO NOT use battery charger to supply power to water heater even when testing.

USA AND CANADA - FOLLOW ALL APPLICABLE STATE AND LOCAL CODES -

IN THE ABSENCE OF LOCAL CODES OR REGULATIONS, REFER TO CURRENT STANDARDS OF:

- Recreation Vehicles ANSI A119.2/NFPA 501C.
- National Fuel Gas Code ANSI Z223.1 and/or CAN/CGA B149 Installation Codes
- Federal Mobile Home Construction & Safety Standard, Title 24 CFR, part 3280, or when this Standard is not applicable, the Standard for Manufactured Home Installations (Manufactured Home Sites, Communities and Set-Ups), ANSI A255.1 and/or CAN/CSA-Z240 MH Series, Mobile Homes.
- National Electrical Code ANSI/NFPA No. 70 and/or CSA C22.1
- Park Trailers A119.5
- CSA standard Z240 RV Series, Recreational Vehicle.
- ASSE Standard 1017 (Mixing Value).
- NSF Standard ANSI/NSF 14-2003 (All Hoses and Plastic Fittings).

GENERAL INSTALLATION

This is a common installation for water heaters. There are other approved methods such as Flush Mount (MPD 93948) installations. Consult with your Field Auditor, Account Manager, or the Atwood Service Department if you have additional questions.

1. Locate water heater on floor of coach before erecting side walls. The water heater tank must be permanently supported at the same level as the bottom of sidewall cutout (by the floor or a raised floor) FIG 2. Provide adequate clearance at rear of unit for service of water connections.
2. To install water heater on carpeting, you must install appliance on a metal or wood panel that extends at least three inches beyond the full width and depth of appliance.
3. If the appliance is installed where connection or tank leakage will damage adjacent area, install a drain pan (which can be drained to out side of coach) under water heater.

WIRING

All wiring must comply with applicable electrical codes.

COMBINATION GAS/ELECTRIC MODELS are designed to operate with gas, electricity, or a combination of both.

- Use electrical metallic tubing, flexible metal conduit, metal clad cable, or nonmetallic-sheathed cable with grounding conductor. Wire must have a capacity of 1400 watts or greater. The wiring method must conform to applicable sections of article 551 of National Electrical Code ANSI/NFPA 70.
1. Refer to **Wiring Diagram** (FIG 12). Make 120 VAC electrical connections from junction box on back of unit.
 - a. Connect hot lead to (1) Black.
 - b. Connect common lead to (2) White.
 - c. Connect ground wire from electrical service to (3) green ground lead in junction box 3.

**⚠ CAUTION
PRODUCT DAMAGE**

- When using Romex® with a bare earth ground, take care to position ground wire so it does not contact the heating element terminals.

- When a cord and plug connection to the power supply are used on water heater, power cord must be UL listed as suitable for damp locations, hard or extra hard usage. It must be a flexible cord such as type S, SO, ST, STO, SJ, SJT, SJTO, HS or HSO cord as described in National Electrical Code, ANSI/NFPA 70. The length of external cord to water heater, measured to face of attachment plug, shall be no less than 2 feet nor more than 6 feet. Supply cord must be a minimum of 14 AWG and attachment plug must be rated at 15 amps.

**⚠ CAUTION
ELECTRICAL DAMAGE**

- Label all wires before disconnecting when servicing controls.
- Verify proper operation after servicing.

ELECTRONIC IGNITION

NOTE: It is recommended unit be connected directly to a 12V DC battery or to filtered side of an AC/DC converter. Avoid connections to unfiltered side of an AC/DC converter whenever possible. Use a minimum of 18 gauge wire, UL and CSA listed.

1. Refer to **Wiring Diagram** (FIG 12). Install remote switch in a convenient location. Position wall plate with letters up. Before making connections turn switch **OFF**.
2. Install wires see FIG 10 & 11.

HEAT EXCHANGE MODELS - FIG 5

1. Push a 5/8" diameter coolant system hose (5-A) [with SAE 053 A Type "E" clamp attached] onto heat exchanger tube (5-B) making a tight connection.
2. Spread hose clamp and slide toward heat exchange unit past annular groove (5-C) and release.
3. Continue to **HOW TO OPERATE YOUR WATER HEATER** and/or **Electronic Ignition OPERATION**.

CONTINUE GENERAL INSTALLATION

4. Connect both 1/2" NPT water lines (FIG 2) hot water outlet female and cold water inlet female and 3/8" flared LP gas line to the water heater (FIG 9).
 - a. Allow flexibility in water and gas lines so you can pull unit forward through wall one inch past skin.
 - b. Seal gas line entrance opening (FIG 9) by sliding grommet (9-B) onto 3/8" tubing (9-D) before flaring tubing (9-E). Pull gas line and grommet through opening in housing (9-A). Connect flare fitting (9-C) and press grommet into opening. If gas line tubing is already flared, cut grommet on one side. Place split grommet over gas line and press it into opening.
 - c. Always use pipe lubricant on threads when connecting hot and cold water couplings. A suitable plastic fitting is recommended.

**⚠ CAUTION
PRODUCT DAMAGE**

- Do not lift, pull, push or misalign the main burner tube (FIG 3-F).

5. Erect side walls and cut opening. See chart and FIG 1. Frame with 2x2 lumber (or equivalent).

CUTOUT (FIG 1 & 2)

CAPACITY	CUT OUT DIMENSION		DEPTH
Gallon	1-A	1-B	2-C
6	12-5/8"	16-1/4"	18.5"
10	15-3/4"	16-1/4"	21.75"
MINIMUM CLEARANCE FROM COMBUSTIBLE CONSTRUCTION			
Sides:	0"	Top:	0"
Back:	0"	Bottom:	0"


6. Bend all flanges 90° along scored lines (FIG 3-A).
7. To prevent water leaks caulk thoroughly around opening, including bend slots. Butyl Tape (1-1/3"x1/8") may be substituted for caulking material.
8. Push unit against caulking, secure 4-corner brackets (FIG 3-B) to coach with No. 8 - 3/4" round head screws (not furnished) or equivalent. Complete the installation by inserting the same type of #8 screws in the holes provided around the flange of the water heater housing. **Check all gaskets, they must adhere to the pan creating an air tight seal.**

9. Attach access door.
 - a. Snap hinge pin (FIG 3-C) into clip (FIG 3-D).
 - b. Slide cover (FIG 3-E) onto hinge pin.
 - c. Slide hinge pin into cover, snapping into clip at same time (FIG 3-D).
- NOTE: To remove hinge pin, support access cover and apply force to corner of hinge pin.
10. Disconnect unit and its individual shut-off valve from gas supply line during any pressure testing of system in excess of 1/2 PSIG (3.4 kPa, 14" water column [W.C.]). DO NOT set inlet pressure higher than maximum indicated on rating plate of gas valve (13" W.C.). Isolate unit from gas supply line by closing its individual manual shutoff valve during any pressure testing \leq 1/2 psig.

 WARNING FIRE AND/OR EXPLOSION
<ul style="list-style-type: none"> DO NOT use matches, candles or other sources of ignition when checking for gas leaks.

11. Turn on gas and check water heater and all connections for gas leaks with leak detecting solution.
12. Fill water heater tank, check all connections for water leaks.

MIXING VALVE - (FIG 9)

 WARNING SCALDING INJURY
<ul style="list-style-type: none"> Valve is not serviceable, it must be replaced. Replacement by a Certified Service Technician only. Tampering with valve will result in scalding injury. Tampering with valve will void warranty.

THIS VALVE IS A SAFETY COMPONENT AND MUST NOT BE REMOVED FOR ANY REASON OTHER THAN REPLACEMENT. REMOVAL FOR REPLACEMENT BY A CERTIFIED SERVICE TECHNICIAN ONLY. The water heater is equipped with a mixing (moderating) valve which mixes cold water with higher temperature water to moderate outlet water to approximately 130°F. It is also equipped with a higher temperature thermostat, raising the storage water temperature.

PRESSURE-TEMPERATURE RELIEF VALVE - (FIG 3-G)

 WARNING SCALDING INJURY
<ul style="list-style-type: none"> Valve is not serviceable, it must be replaced. Tampering with valve will result in scalding injury. Tampering with valve will void warranty.

 WARNING EXPLOSION
<ul style="list-style-type: none"> DO NOT place a valve, plug or reducing coupling on outlet part of pressure-temperature relief valve.

THIS VALVE IS A SAFETY COMPONENT AND MUST NOT BE REMOVED FOR ANY REASON OTHER THAN REPLACEMENT. This water heater is equipped with a temperature and pressure relief valve that complies with the standard for Relief Valves and Automatic Gas Shutoff Devices for Hot Water Systems, ANSI Z21.22.


If you use a discharge line, do not use a reducing coupling or other restriction smaller than outlet of relief valve. Allow complete drainage of both valve and line.

FOR REPLACEMENT PARTS:

- DO NOT install anything less than a combination temperature-pressure relief valve certified by a nationally recognized testing laboratory that maintains periodic inspection of product of listed equipment or materials, as meeting requirements for Relief Valves and Automatic Gas Shutoff Devices for Hot Water Supply Systems, ANSI Z21.22. Valve must have a maximum set pressure not to exceed 150 psi.
- Install valve into opening provided and marked for this purpose on water heater.
- Installation must conform with local codes or in the absence of local codes, American National Standard for Recreational Vehicles, ANSI A119.2/NFPA 501C.
- For an external electrical source, ground this unit in accordance with National Electrical Code ANSI/NFPA70.

Your **ATWOOD WATER HEATER** is now ready for operation. Continue to **HOW TO OPERATE YOUR WATER HEATER.**

CONSUMER SAFETY WARNINGS

 WARNING EXPLOSION OR FIRE
<ul style="list-style-type: none"> DO NOT store or use gasoline or other flammable vapors and liquids in the vicinity of this or any other appliance. Should overheating occur, or gas supply fail to shut off, turn gas OFF at the LP tank. On ELECTRONIC IGNITION MODEL turn operating switch to OFF position and remove red wire from left hand terminal of ECO switch or turn gas OFF at the LP tank. Use with LP gas only. Shut off gas appliances when refueling. Turn gas OFF at the LP tank when vehicle is in motion. This disables all gas appliances. Gas appliances must never be operated while vehicle is in motion. Unpredictable wind currents may be created which could cause flame reversal in the burner tube, which could result in fire damage. The thermal cut off fuse could also be unnecessarily activated resulting in a complete shutdown of the water heater requiring replacement of the thermal cut off. See maintenance of electronic ignition water heaters for further explanation of the thermal cut off. LP tanks must be filled by a qualified gas supplier only.

HOW TO OPERATE YOUR WATER HEATER

 CAUTION FIRE
<ul style="list-style-type: none"> Do not smoke or have any flame near an open faucet.

If water heater has not been used for more than two weeks, hydrogen gas may form in water line. Under these conditions to reduce the risk of injury, open hot water faucet for several minutes at kitchen sink before you use any electrical appliance connected to hot water system.

If hydrogen gas is present, you will probably hear sounds like air escaping through the pipe as water begins to flow.

 WARNING SCALDING INJURY
<ul style="list-style-type: none"> Do not tamper with orifice or mixing valve.

 CAUTION PRODUCT FAILURE
<ul style="list-style-type: none"> Do not operate without water in tank.

ELECTRONIC IGNITION OPERATION

1. Refer to **WIRING DIAGRAM** FIG12. Place remote switch in **ON** position.
2. For complete shut-down and before servicing:
 - a. Place remote switch in **OFF** position.
 - b. Remove red wire from left hand terminal of ECO switch (ECO to valve).
3. If heater fails to operate due to high water temperature, a lockout condition occurs (indicator light on). After water cools, reset switch in **OFF** position for at least 30 seconds, then turn to **ON** position.
4. If a lockout condition persists contact an Atwood Service Center.

Read MAINTENANCE AND CARE INSTRUCTIONS & ELECTRONIC IGNITION MAINTENANCE

GAS/ELECTRIC COMBINATION FUNCTION

GAS OPERATION. When the gas switch is turned on, the unit will make three attempts to light. If for any reason there is no ignition, the unit will lockout and the red lockout lamp will illuminate. If the thermostat fails, the ECO will also lockout the unit, requiring resetting. Determine the reason for no ignition, correct it, and reset the gas ignition sequence by turning the switch off, then on.

ELECTRIC OPERATION. When the electric switch is turned on, the relay at the rear of the unit will close and pass 110vac to the element. If the thermostat were to fail, the ECO will open and lockout the system. To correct, check the thermostat to assure good contact with the tank and reset the control by turning the electric switch off, then on.


GAS/ELECTRIC OPERATION. The unit can be run in both gas and electric modes simultaneously for quick recovery. note: if the gas fails to ignite, the gas mode will lockout, but the lockout lamp will not illuminate since the electric mode is still operational. Should you notice slow recovery, indicating the gas is not working, turn the electric switch off. The lamp will then illuminate indicating a lockout has occurred on the gas side. Correct the problem and turn the switches back on.

Read **MAINTENANCE AND CARE INSTRUCTIONS.**


MAINTENANCE AND CARE INSTRUCTIONS

SERVICE CALLS & QUESTIONS

Location and phone numbers of qualified Service Centers can be found at our website <http://www.atwoodmobile.com> or call 574-262-2655 to have a Service Center List mailed.

 WARNING FIRE OR EXPLOSION
<ul style="list-style-type: none">• Shut off gas supply at LP container before disconnecting a gas line.• Keep control compartment clean and free of gasoline, combustible material, and flammable liquids and vapors.

AFTERMARKET WATER HEATING ELEMENT DEVICES

 WARNING EXPLOSION / BURN INJURY
<ul style="list-style-type: none">• DO NOT alter water heater, it will void warranty.• DO NOT USE Aftermarket heating elements, they can lack critical safety controls.• Use of Aftermarket heating elements can lead to an out of control heating of water tank and a catastrophic wet side explosion.

The use of any aftermarket heating element devices may also result in damage to components or water heater. Atwood's written warranty states - "failure or damage resulting from any alteration to our water heater is the owner's responsibility". Any alteration, like the addition of an aftermarket heating element device, will void the warranty.

GENERAL INFORMATION

- LP and Water system must be turned on.
- Have gas pressure tested periodically. Should be set at 11 inches of water column with three appliances running.
- Drain water heater at regular intervals (at least one time during the year).
- Drain water heater before storing RV for the winter or when the possibility of freezing exists.
- Keep vent and combustion air grill clear of any obstructions.
- Periodically, compare flame of main burners with FIG 4 and main burner adjustments in **HOW TO OPERATE YOUR WATER HEATER.**
- Presence of soot indicates the need to adjust flame.

ELECTRONIC IGNITION MAINTENANCE

- The water heater comes factory-equipped with a fused circuit board, which will protect the circuit board from wiring shorts. If the fuse should activate, the water heater will not operate. Before replacing the fuse, check for a short external to the board. Once the short is corrected, replace the 2 amp fuse with a mini ATO style fuse. Do **not** install a fuse larger than 3 amps.
- If the fuse is good and the unit is inoperative, check for excessively high voltage to the unit (more than 14 volts).
- If the previous two steps did not solve the problem, check the thermal cut-off (FIG 3-I). The thermal cutoff is a device installed in the power supply line. This device will shut off electrical power and stop heater operation when activated. For example, if an obstruction within the flue tube should occur, as described in the Preventative Maintenance section, the burner flame/heat may contact the cutoff, resulting in a melting of the fuse element incorporated in the thermal cutoff. In order to restore power and proper operation of the water heater, the obstruction must be removed and the thermal cutoff must be replaced.

PREVENTATIVE MAINTENANCE


Spiders, mud wasps, and other insects can build nests in the burner tube. This will cause poor combustion, delayed ignition or ignition outside combustion tube. Listen for a change in burner sounds or in flame appearance from a hard blue flame to a soft lazy flame or one that is very yellow. These are indications of an obstruction in burner tube (FIG 4-C). Inspect and clean on a regular basis.

- a. Remove air shutter screw (FIG 4-A) and slide air shutter (FIG 4-B) down burner tube.
- b. Run a flexible wire brush down burner tube (FIG 4-D) until it is visible at end of burner tube.
- c. Vacuum burner where it enters combustion tube.
- d. Return air shutter to original position and replace screw.
- e. **The orifice, burner tube and shutter must be aligned so that the shutter is not binding on the air tube.**

HOW TO CLEAN ELECTRONIC IGNITION MODEL

1. Check main burner orifice.
2. Clean and adjust main burner.
3. Main burner and valve manifold must align with each other
4. Check electrode for cracked porcelain (FIG 4-E).
5. Check electrode for proper gap - 1/8" between electrode and ground.
6. If module board functions intermittently, remove board and clean terminal block with pencil eraser (FIG 3-H).

WATER HEATER TANK CARE

 WARNING SCALDING INJURY
<ul style="list-style-type: none">• Turn off water heater and allow time for water to cool before removing drain plug to flush tank.

INSTRUCTIONS POUR L'HIVERNAGE (RINÇAGE)

Pour assurer le meilleur rendement de votre chauffe-eau et prolonger la vie du réservoir, évacuer et rincer régulièrement le réservoir du chauffe-eau. Avant le rangement à long terme ou avant l'arrivée du gel, évacuer et rincer le réservoir.

1. Couper l'alimentation principale en eau (la pompe ou la source d'apport en eau).
2. Évacuer l'eau du réservoir du chauffe-eau en retirant le bouchon de vidange. Si l'eau coule de façon irrégulière ou goutte au lieu de couler à jet normal, nous vous conseillons tout d'abord d'ouvrir la soupape de décharge de type pression-température, pour permettre à l'air d'entrer dans le réservoir. Ensuite, à l'aide d'un fil de fer de petit diamètre ou d'un porte-manteau, piquer à l'intérieur de l'orifice d'évacuation, de façon à éliminer toute obstruction.
3. Une fois le réservoir vide, étant donné l'emplacement du bouchon de vidange, il restera environ 2 litres d'eau dans le réservoir. Cette eau contient la plus grande partie des particules corrosives dangereuses. Pour retirer ces particules corrosives dangereuses, rincer le réservoir soit avec de l'air, soit avec de l'eau. Que vous utilisiez de l'air ou de l'eau sous pression, l'application peut se faire soit par l'entrée, soit par la sortie située à l'arrière du réservoir ou de la soupape de décharge de type pression-température. (En cas d'utilisation de la soupape de décharge de type pression-température, il faudra d'abord retirer le rebord de sécurité). La pression force l'eau et les particules corrosives restantes à s'évacuer.
En cas d'utilisation d'eau sous pression, pomper de l'eau fraîche dans le réservoir à l'aide d'une pompe transportée ou utiliser de l'eau externe pendant 90 secondes, de façon à permettre à l'eau fraîche de remuer l'eau stagnante se trouvant au fond du réservoir et de propulser les dépôts par l'orifice d'évacuation. Continuer à rajouter de l'eau et à évacuer, jusqu'à ce que l'eau restant dans le réservoir ne comporte plus aucune particule.
4. Remplacer le bouchon de vidange et fermer la soupape de décharge de type pression-température. La quantité d'eau (environ 2 litres) restant au fond du réservoir suite à la vidange ne causera pas de dommage au réservoir en cas de gel.

SOUPAPE DE DÉCHARGE DE TYPE PRESSION-TEMPÉRATURE

 AVERTISSEMENT BRÛLURES
<ul style="list-style-type: none">• La soupape ne se prête pas aux réparations, elle devra être remplacée.• Toucher à la soupape risque de provoquer des brûlures.• Toucher à la soupape annulera la garantie.

 AVERTISSEMENT EXPLOSION
<ul style="list-style-type: none">• Ne pas placer de robinet, de bouchon ou de raccord de réduction sur la sortie de la soupape de décharge de type pression-température.

Lorsqu'une soupape de décharge de type pression-température goutte pendant le fonctionnement du chauffe-eau, cela NE SIGNIFIE PAS qu'elle est défectueuse. La soupape de décharge goutte parfois, du fait d'une expansion naturelle de l'eau, lorsque celle-ci est chauffée à l'intérieur du réseau d'alimentation en eau d'un véhicule de plaisance. Le réservoir du chauffe-eau Atwood comporte un intervalle d'air interne en haut du réservoir, permettant de réduire les risques d'égouttement. Au fil du temps, l'expansion de l'eau absorbe cet air et l'intervalle doit être rétabli.

 AVERTISSEMENT BRÛLURES
<ul style="list-style-type: none">• Couper le chauffe-eau avant d'ouvrir la soupape de décharge de type pression-température et de rétablir l'intervalle d'air. L'eau contenue dans le réservoir doit être froide.

POUR RÉTABLIR L'INTERVALLE D'AIR, SUIVRE LES ÉTAPES SUIVANTES :

1. Couper l'alimentation principale en eau (la pompe ou la source d'apport en eau).
2. Laisser l'eau refroidir ou la laisser couler jusqu'à ce qu'elle soit froide.
3. Ouvrir le robinet d'eau chaude le plus proche du chauffe-eau.
4. Tirer la poignée de la soupape de décharge de type pression-température vers soi et laisser l'eau couler, jusqu'à ce qu'elle s'arrête.
5. Laisser la soupape de décharge de type pression-température revenir brusquement en position fermée ; fermer le robinet ; ouvrir l'alimentation en eau.
6. Allumer le chauffe-eau et le tester.

- Faire fonctionner manuellement la soupape de décharge de type pression-température au moins une fois par an (FIG 3-G).

Lorsque la soupape de décharge de type pression-température s'écoule à nouveau, répéter la procédure ci-dessus. Pour une solution permanente, nous vous conseillons l'une des choses suivantes :

- Installer une soupape de décharge de type pression-température dans la conduite d'arrivée d'eau froide du chauffe-eau et fixer une conduite d'évacuation sur la vanne extérieure du véhicule. Régler la limite sur 100 à 125 psi.
- Installer un réservoir d'expansion de type membrane dans la conduite d'arrivée d'eau froide. Le réservoir devra permettre une dilatation d'environ 15 oz d'eau et une mise sous pression égale à la pression de l'alimentation en eau. Ces dispositifs sont disponibles chez un plombier ou dans un Centre de service.

RINCER POUR ÉLIMINER LES MAUVAISES ODEURS

Une odeur d'œuf pourri (sulfure d'hydrogène) pourra se dégager du fait de l'action électrolytique du matériau de gainage qui dégage de l'hydrogène de l'eau. En cas de présence de souffre dans l'alimentation en eau, l'eau et le souffre se mélangent pour donner une odeur désagréable.

1. Couper l'alimentation principale en eau. Évacuer l'eau du réservoir du chauffe-eau et réinstaller le bouchon de vidange. Retirer la soupape de décharge de type pression-température. Préparer une solution de 4 parts de vinaigre blanc pour 2 parts d'eau. (Pour un réservoir de 10 gallons, utiliser 6 gallons de vinaigre et 3 gallons d'eau.) Au moyen d'un entonnoir, verser la solution à l'intérieur du réservoir, avec précaution.
2. Effectuer 4 à 5 cycles du chauffe-eau avec la solution indiquée ci-dessus en laissant fonctionner normalement.
3. Retirer le bouchon de vidange et évacuer toute l'eau du réservoir. Rincer le chauffe-eau pour en éliminer tout sédiment. Il est possible de rincer le réservoir avec de l'air sous pression ou avec de l'eau claire. Appliquer la pression soit sur les clapets d'arrivée ou de sortie à l'arrière du réservoir, soit au raccord de la soupape de décharge de type pression-température se trouvant à l'avant de l'unité.

POUR RINCER LE RÉSERVOIR AVEC DE L'AIR SOUS PRESSION :

L'air sous pression devra passer par le raccord de la soupape de décharge de type pression-température. Le robinet de vidange ouvert, l'air sous pression forcera l'eau restante à s'écouler de l'unité.

POUR RINCER LE RÉSERVOIR AVEC DE L'EAU SOUS PRESSION :

Il faudra pomper de l'eau claire dans le réservoir, soit avec la pompe transportée à bord, soit avec de l'eau sous pression externe. Continuer le processus de rinçage pendant environ cinq minutes ; ceci permet à l'eau claire de remuer l'eau stagnante du fond du réservoir et de pousser les dépôts par l'orifice d'évacuation.

4. Remplacer le bouchon de vidange et la soupape de décharge de type pression-température.
5. Remplir le réservoir avec de l'eau claire ne contenant pas de souffre.

Le chauffe-eau Atwood est conçu pour être utilisé dans les véhicules de plaisance. Si vous utilisez votre véhicule fréquemment ou pour des périodes prolongées, rincer le chauffe-eau plusieurs fois par an permettra de prolonger la vie du réservoir d'approvisionnement.

FONCTIONNEMENT DE L'ALLUMAGE ÉLECTRONIQUE

1. Consulter le **SCHÉMA DE CÂBLAGE** FIG 12. Mettre la commande à distance en position allumée (**ON**).
2. Pour éteindre complètement l'unité et avant d'effectuer des réparations :
 - a. Mettre la commande à distance en position éteinte (**OFF**).
 - b. Enlever le fil rouge de la borne gauche de l'interrupteur ECO (ECO au robinet).
3. Si le chauffe-eau ne fonctionne pas car la température de l'eau est trop élevée, il se verrouille (voyant lumineux allumé). Une fois l'eau refroidie, remettre l'interrupteur en position éteinte (**OFF**) pendant au moins 30 secondes, puis repasser à la position allumée (**ON**).
4. Si le verrouillage persiste, contacter un centre de service Atwood.

Lire les **INSTRUCTIONS POUR L'ENTRETIEN et L'ENTRETIEN DE L'ALLUMAGE ÉLECTRONIQUE**.

FONCTION COMBINÉE GAZ-ÉLECTRICITÉ

FONCTIONNEMENT AU GAZ. Lorsque l'interrupteur à gaz est ouvert, l'unité tentera de s'allumer trois fois. Dans le cas où, pour une raison quelconque, l'allumage ne se produit pas, l'unité se verrouille et le voyant lumineux de verrouillage s'allume au rouge. Dans le cas où le thermostat ne fonctionne pas, l'ECO verrouille également l'unité et la remise à zéro est alors obligatoire. Identifier la raison pour laquelle l'allumage ne s'effectue pas, rectifier l'erreur et réinitialiser le processus d'allumage en éteignant, puis en rallumant l'interrupteur.

FONCTIONNEMENT ÉLECTRIQUE. Lorsque l'interrupteur à électricité est ouvert, le relais situé à l'arrière de l'unité se ferme, envoyant un courant de 110 VCA vers l'élément. Si le thermostat ne fonctionne pas, l'ECO s'ouvre et verrouille le système. Pour remédier à ce problème, vérifier le thermostat et s'assurer qu'il existe un contact stable avec le réservoir, puis réinitialiser la commande en mettant l'interrupteur électrique en position éteinte (OFF), puis allumée (ON).

FONCTIONNEMENT GAZ-ÉLECTRICITÉ. L'unité peut fonctionner à la fois en mode gaz et en mode électrique simultanément, ce qui permet d'éviter les interruptions prolongées. Remarque : si le gaz ne s'allume pas, le mode de fonctionnement au gaz se verrouille, mais le voyant lumineux de verrouillage ne s'allume pas pour autant, étant donné que le mode électrique est encore en marche. Si vous remarquez une interruption prolongée indiquant que le gaz ne fonctionne pas, mettre l'interrupteur électrique sur la position éteinte (OFF). Le voyant s'allume alors, indiquant qu'un verrouillage vient de se produire du côté gaz. Rectifier le problème et remettre les interrupteurs sur la position allumée (ON).

Lire les **INSTRUCTIONS POUR L'ENTRETIEN**.

INSTRUCTIONS POUR L'ENTRETIEN

APPELS ET QUESTIONS D'ENTRETIEN

Les adresses et les numéros de téléphone des centres de service agréés se trouvent sur notre site Internet <http://www.atwoodmobile.com> ou composer le 574-262-2655 pour recevoir la liste par courrier.

 AVERTISSEMENT INCENDIE OU EXPLOSION
<ul style="list-style-type: none">• Fermer l'alimentation en gaz au niveau du réservoir de propane liquide avant de débrancher la conduite de gaz.• S'assurer que le compartiment de commande est propre et ne comporte pas de carburant, de matériaux combustibles ou de liquides ou vapeurs inflammables.

ÉLÉMENTS DE CHAUFFE D'EAU DE MARCHÉ SECONDAIRE

 AVERTISSEMENT EXPLOSION / BRÛLURES
<ul style="list-style-type: none">• NE PAS modifier le chauffe-eau, sous peine d'annuler la garantie.• NE PAS utiliser d'éléments de chauffe de marché secondaire, car ils risquent de ne pas avoir fait l'objet de certains contrôles de sécurité importants.• L'utilisation d'éléments de chauffe de marché secondaire comporte le risque de perte de contrôle du chauffage du réservoir à eau et d'explosion d'eau catastrophique.

L'utilisation d'éléments de chauffe provenant de fabricants de marché secondaire pourra également entraîner des dommages des composantes ou du chauffe-eau. La garantie écrite Atwood stipule que « la responsabilité d'un mauvais fonctionnement ou de dommages causés par une modification au chauffe-eau revient à

l'acheteur ». Toute modification, telle que, par exemple, le rajout d'un élément de chauffe de marché secondaire, annule la garantie.

INFORMATIONS GÉNÉRALES

- Le système de propane liquide et le système à eau doivent être allumés.
- Faire tester la pression du gaz régulièrement. La pression doit être réglée sur 11 po. de colonne d'eau, lorsque 3 appareils fonctionnent.
- La pression d'admission minimale ne doit pas dépasser 14 po. de colonne d'eau.
- Évacuer l'eau contenue dans le chauffe-eau à intervalles réguliers (au moins une fois par an).
- Évacuer l'eau contenue dans le chauffe-eau avant de garer votre véhicule de plaisance pour l'hiver ou lorsqu'il existe un risque de gel.
- S'assurer que l'évacuation et la grille d'air de combustion ne comportent aucune obstruction.
- Comparer régulièrement la flamme des brûleurs principaux à la FIG 4 et aux réglages du brûleur principal dans la section **COMMENT UTILISER VOTRE CHAUFFE-EAU**.

ENTRETIEN DE L'ALLUMAGE ÉLECTRONIQUE

- A l'usine, votre chauffe-eau a été équipé d'une carte imprimée à fusible. Ce fusible protège la carte imprimée des courts-circuits pouvant survenir dans les câblages. Si le fusible venait à s'activer, le chauffe-eau ne pourrait pas fonctionner. Avant de remplacer le fusible, vérifier que le court-circuit n'est pas externe à la carte imprimée. Une fois le court-circuit réparé, remplacer le fusible de 2 ampères par un fusible mini de type ATO. **Ne pas** installer de fusible de plus de 3 ampères.
- Si le fusible est bon mais que l'unité ne fonctionne pas, vérifier que la tension du courant alimentant l'unité n'est pas trop élevée (plus de 14 volts).
- Si les deux étapes précédentes ne résolvent pas le problème, vérifier le système de coupure thermique (FIG 3-I). Le système de coupure thermique est installé dans le tuyau d'alimentation. Ce dispositif, une fois déclenché, coupe l'arrivée du courant électrique et le fonctionnement du chauffe-eau. Par exemple, en cas d'obstruction dans le tube d'évacuation, comme le décrit la section d'Entretien préventif, la flamme et la chaleur du brûleur risquent d'entrer en contact avec le système de coupure, ce qui fera fondre l'élément du fusible incorporé dans le système de coupure thermique. Pour rétablir l'électricité et le bon fonctionnement du chauffe-eau, l'obstruction doit être éliminée et le système de coupure thermique doit être remplacé.

ENTRETIEN PRÉVENTIF

Araignées, guêpes et autres insectes font parfois leur nid dans le tube du brûleur. Cela risque de causer une mauvaise combustion, un retard dans l'allumage ou un allumage à l'extérieur du tube de combustion. Prêter attention à tout changement du son produit par le brûleur et de l'apparence de la flamme (molle, calme et jaune vif plutôt que drue et bleue). Cela indique que le tube du brûleur est obstrué (FIG 4-C). Inspecter et nettoyer régulièrement.

- a. Retirer la vis de l'obturateur d'air (FIG 4-A) et glisser l'obturateur d'air (FIG 4-B) le long du tube du brûleur.
- b. Introduire une brosse métallique flexible à l'intérieur du tube du brûleur (FIG 4-D), jusqu'à ce qu'elle ressorte par l'autre extrémité du tube.
- c. Nettoyer le brûleur à l'aide d'un aspirateur, à l'endroit où il s'insère dans le tube de combustion.
- d. Remettre l'obturateur d'air dans sa position d'origine et replacer la vis.
- e. **The orifice, burner tube and shutter must be aligned so that the shutter is not binding on the air tube.**

COMMENT NETTOYER LES MODÈLES À ALLUMAGE ÉLECTRONIQUE

1. Vérifier l'orifice du brûleur principal.
2. Nettoyer et régler le brûleur principal.
3. Le brûleur principal et les voies de la soupape doivent être alignés.
4. Vérifier que la porcelaine de l'électrode ne comporte pas de fissures (FIG 4-E).
5. Vérifier que l'écart entre l'électrode et le sol est bien de 1/8 po.
6. Lorsque la carte des modules fonctionne en alternance, enlever la carte et nettoyer la plaque à bornes avec une gomme pour crayon (FIG 3-H).

ENTRETIEN DU RÉSERVOIR DU CHAUFFE-EAU

 AVERTISSEMENT BRÛLURES
<ul style="list-style-type: none">• Éteindre le chauffe-eau et attendre que l'eau refroidisse avant d'enlever le bouchon de vidange et de rincer le réservoir.

WINTERIZING (FLUSHING) INSTRUCTIONS

To insure the best performance of your water heater and add to the life of the tank, periodically drain and flush the water heater tank. Before long term storage or freezing weather drain and flush the tank.

1. Turn off main water supply (the pump or water supply (the pump or water hook up source).
2. Drain Water Heater Tank by removing the drain plug. If the water flows sporadically or trickles instead of a steady stream of water, we recommend the following action; first open the Pressure Temperature Relief Valve to allow air into the tank and secondly, take a small gauge wire or coat hanger and poke through the drain opening to eliminate any obstructions.
3. After draining the tank, because of the placement of the Drain Plug, approximately two quarts of water will remain in the tank. This water contains most of the harmful corrosive particles. To remove these harmful corrosive particles flush the tank with either air or water. Whether using air or water pressure, it may be applied through the inlet or outlet on the rear of the tank or the Pressure Temperature Relief Valve. (If using the Pressure Temperature Relief Valve the Support Flange must be removed). The pressure will force out the remaining water and the corrosive particles.
If you use water pressure, pump fresh water into the tank with the assistance of the on-board pump or use external water for 90 seconds to allow the fresh water to agitate the stagnant water on the bottom of the tank and force deposits through the drain opening. Continue repeating adding water and draining until the particles have been cleared from the water remaining in the tank.
4. Replace the Drain Plug and close the Pressure Temperature Relieve Valve. The approximately two quarts of water remining in the tank after draining will not cause damage to the tank should freezing occur.

PRESSURE-TEMPERATURE RELIEF VALVE

 WARNING SCALDING INJURY
<ul style="list-style-type: none">• Valve is not serviceable, it must be replaced.• Tampering with valve will result in scalding injury.• Tampering with valve will void warranty.

 WARNING EXPLOSION
<ul style="list-style-type: none">• Do not place a valve, plug or reducing coupling on outlet part of pressure-temperature relief valve.

A Pressure Temperature Relief Valve, dripping while the water heater is running, DOES NOT mean it is defective. During normal expansion of water, as it is heated in the closed water system of a recreation vehicle, the Pressure Temperature Relief Valve will sometimes drip. The Atwood water heater tank is designed with an internal air gap at the top of the tank to reduce the possibility of dripping. In time, the expanding water will absorb this air and it must be restored.

 WARNING SCALDING INJURY
<ul style="list-style-type: none">• Turn off water heater before opening pressure-temperature relief valve to establish air space. Storage water must be cool.

TO REPLACE THE AIR GAP FOLLOW THESE STEPS:

1. Turn off main water supply (the pump or water hook up source).
2. Let water cool or let run until cool.
3. Open the hot water faucet closest to the water heater.
4. Pull handle of pressure temperature relief valve straight out and allow water to flow until it stops.
5. Allow pressure temperature relief valve to snap shut; close faucet; turn on water supply.
6. Turn on water heater and test.

- At least once a year manually operate pressure-temperature relief valve (FIG 3-G).

When pressure-temperature relief valve discharges again, repeat above procedure. For a permanent solution, we recommend one of the following:

- Install a pressure relief valve in cold water inlet line to water heater and attach a drain line from valve to outside of coach. Set to relieve at 100-125 PSI.
- Install a diaphragm-type expansion tank in cold water inlet line. Tank should be sized to allow for expansion of approximately 15 oz. of water and pre-charged to a pressure equal to water supply pressure. These devices can be obtained from a plumbing contractor or Service Center.

FLUSHING TO REMOVE UNPLEASANT ODOR

A rotten egg odor (hydrogen sulfide) may be produced when the electro galvanic action of the cladding material releases hydrogen from the water. If sulfur is present in the water supply the two will combine and produce an unpleasant smell.

1. Turn off main water supply. Drain the water heater tank and reinstall drain plug. Remove the pressure-temperature relief valve. Mix solution of 4 parts white vinegar to two parts water. (For a 10 gallon tank, use 6 gallons vinegar to 3 gallons water). With a funnel, carefully pour solution into tank.
2. Cycle water heater with the above solution, letting it run under normal operation 4-5 times.
3. Remove the drain plug and thoroughly drain all water from the tank. Flush the water heater to remove any sediment. you may flush the tank with air pressure or fresh water. Pressure may be applied through either the inlet or outlet valve on the rear of the tank or through the pressure-temperature relief valve coupling located on the front of the unit.

TO FLUSH TANK WITH AIR PRESSURE:

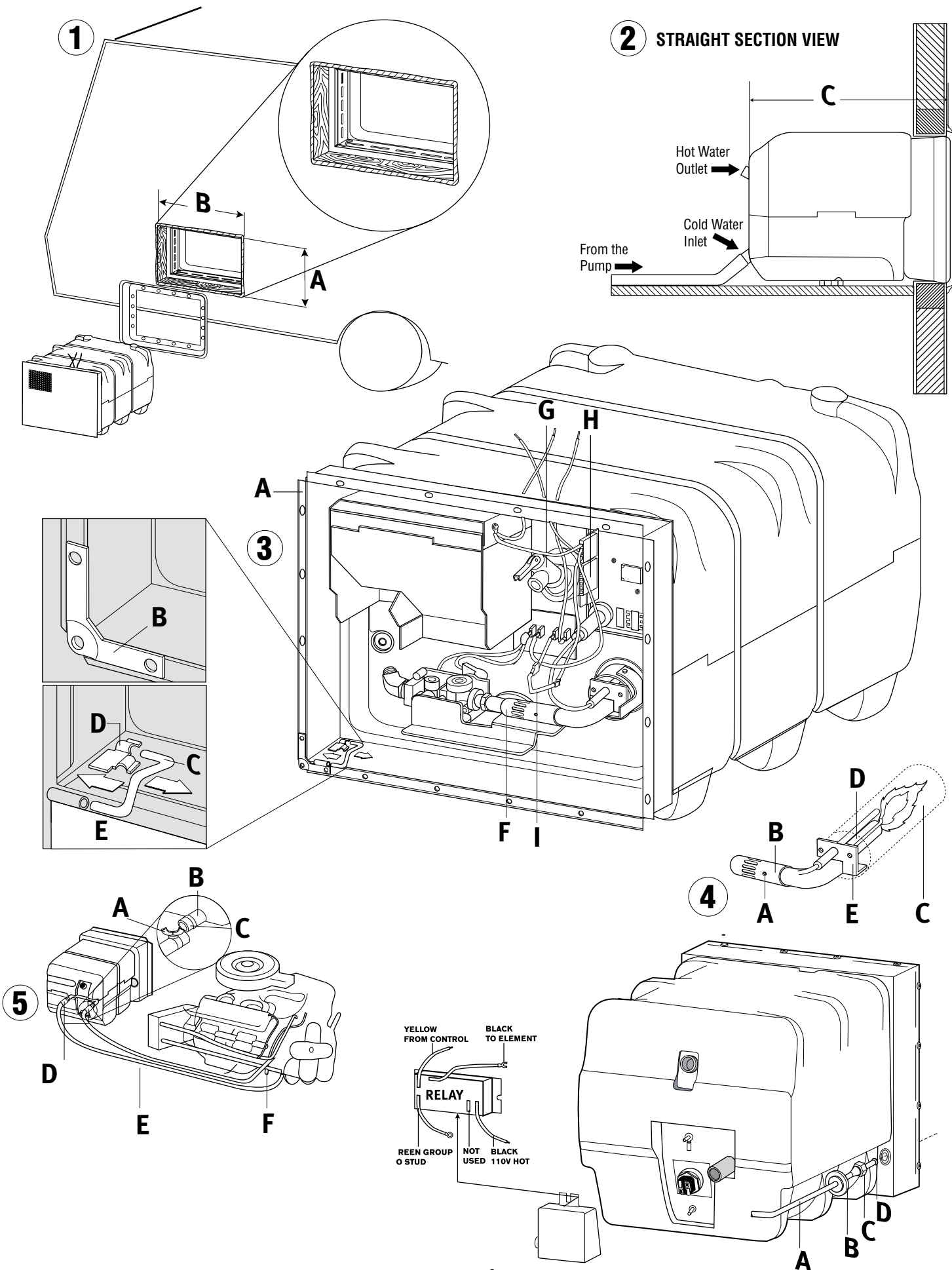
Insert your air pressure through the pressure-temperature relief valve coupling. With the drain valve open, the air pressure will force the remaining water out of the unit.

TO FLUSH TANK WITH WATER PRESSURE:

Fresh water should be pumped into the tank with either the onboard pump or external water pressure. Continue this flushing process for approximately five minutes, allowing the fresh water to agitate the stagnant water on the bottom of the tank and forcing the deposits through the drain opening.

4. Replace drain plug and pressure-temperature relief valve.
5. Refill tank with fresh water that contains no sulphur.

The Atwood water heater is designed for use in a recreation vehicle. If you use your vehicle frequently or for long periods of time, flushing the water heater several times a year will prolong the life of the storage tank.



8. Pousser l'unité contre le mastic, fixer les 4 équerres de fixation (FIG 3-B) au véhicule à l'aide de vis à tête ronde No. 8, de 3/4 po. (non-fournies) ou l'équivalent. Terminer l'installation en insérant le même type de vis No. 8 dans les orifices situés sur le bord du logement du chauffe-eau. **Check all gaskets, they must adhere to the pan creating an air tight seal.**
9. Fixer la trappe d'accès.
- Enfoncer l'axe de la charnière (FIG 3-C) dans le logement de la charnière (FIG 3-D).
 - Faire glisser le couvercle (FIG 3-E) sur l'axe de la charnière.
 - Glisser l'axe de la charnière dans le couvercle, tout en l'enfonçant dans le logement de la charnière (FIG 3-D).
- REMARQUE : pour retirer l'axe de la charnière, soutenir le couvercle d'accès et appuyer sur le coin de l'axe de la charnière.
10. Débrancher l'unité et son robinet d'arrêt individuel de la conduite d'alimentation en gaz lors de tout test de pression de système au-delà de 3,4 kPa (12 psi), 14 po. de colonne d'eau (C.E.). NE PAS régler la pression d'admission au-delà du maximum indiqué sur la plaque signalétique du clapet à gaz (13 po. C.E.). Isoler l'unité de la conduite d'alimentation en gaz en fermant le robinet d'arrêt manuel individuel lors de tout test de pression supérieur ou égal à 3,4 kPa (12 psi).

AVERTISSEMENT INCENDIE ET/OU EXPLOSION

- NE PAS utiliser d'allumettes, de bougies ou toute autre source d'allumage pour contrôler la présence éventuelle de fuites de gaz.

11. Ouvrir l'alimentation en gaz et s'assurer que le chauffe-eau et les différents raccords de gaz ne comportent pas de fuites, à l'aide d'une solution de détection de fuites.
12. Remplir le réservoir du chauffe-eau ; vérifier que les différents raccords ne comportent pas de fuites d'eau.

ROBINET DE MÉLANGE - (FIG 9)

AVERTISSEMENT BRÛLURES

- La soupape ne se prête pas aux réparations ; elle devra être remplacée.
- Le remplacement doit uniquement être fait par un technicien d'entretien qualifié.
- Toucher à la soupape risque de provoquer des brûlures.
- Toucher à la soupape annulera la garantie.

CETTE SOUPAPE EST UN ÉLÉMENT DE SÉCURITÉ QUI DEVRA ÊTRE RETIRÉ UNIQUEMENT EN CAS DE REMPLACEMENT. LE RETRAIT, À DES FINS DE REMPLACEMENT, DOIT UNIQUEMENT ÊTRE EFFECTUÉ PAR UN TECHNICIEN D'ENTRETIEN QUALIFIÉ. Ce chauffe-eau est équipé d'un robinet mélangeur (régulateur) qui mélange l'eau froide avec de l'eau à plus haute température, de façon à obtenir une température de l'eau de sortie de 130°F environ. Il est également équipé d'un thermostat à plus haute température qui permet d'augmenter la température de l'eau d'alimentation.

SOUPAPE DE DÉCHARGE DE TYPE PRESSION-TEMPÉRATURE - (FIG 3-G)

AVERTISSEMENT BRÛLURES

- La soupape ne se prête pas aux réparations, elle devra être remplacée.
- Toucher à la soupape risque de provoquer des brûlures.
- Toucher à la soupape annulera la garantie.

AVERTISSEMENT EXPLOSION

- NE PAS placer de robinet, de bouchon ou de raccord de réduction sur la sortie ou l'admission de la soupape de décharge.

LA SOUPAPE EST UN ÉLÉMENT DE SÉCURITÉ ET NE DOIT PAS ÊTRE RETIRÉE SAUF EN CAS DE REMPLACEMENT. Ce chauffe-eau est équipé d'une soupape de décharge de type pression-température en conformité avec la norme sur les soupapes de décharge et les mécanismes de coupure automatique de l'alimentation en gaz pour systèmes à eau chaude ANSI Z21.22.

En cas d'utilisation d'un tuyau d'écoulement, ne pas utiliser de raccord réducteur ou toute autre restriction qui soit inférieure en diamètre à la sortie de la soupape de décharge. Laisser la soupape et la conduite s'écouler complètement.

- PIÈCES DE RECHANGE :**
- Installer AU MINIMUM une soupape de décharge combinée de type température-pression, homologuée par un laboratoire de test reconnu au niveau national, qui inspecte régulièrement les produits d'équipement ou de matériaux concernés, selon les normes pour les soupapes de décharge et les mécanismes de coupure automatique de l'alimentation en gaz pour systèmes à eau chaude ANSI Z21.22. Le réglage de la pression de la soupape ne doit pas dépasser 150 psi.
 - Installer la soupape dans l'ouverture prévue et marquée à cet effet sur le chauffe-eau.
 - L'installation doit être conforme aux codes locaux ou, faute de codes locaux, à la norme américaine nationale pour véhicules de plaisance ANSI A119.2/NFPA 501C.
 - En cas de source électrique externe, cet appareil doit être mis à la terre selon le Code électrique national ANSI/NFPA70.

Votre **CHAUFFE-EAU ATWOOD** est maintenant prêt à fonctionner. Passer à **COMMENT UTILISER VOTRE CHAUFFE-EAU.**

CONSIGNES DE SÉCURITÉ DESTINÉES AU CONSOMMATEUR

AVERTISSEMENT EXPLOSION OU INCENDIE

- NE PAS entreposer ou utiliser de carburant ou tout autre liquide ou toute vapeur inflammables à proximité de cet appareil ou de tout autre appareil.
- En cas de surchauffe ou si l'alimentation en gaz ne s'arrête pas convenablement, fermer le gaz au niveau du réservoir de propane liquide. Sur le **MODÈLE À ALLUMAGE ÉLECTRONIQUE**, mettre l'interrupteur de commande en position arrêt (OFF) et retirer le fil rouge de la borne gauche de l'interrupteur ECO ou fermer le gaz au niveau du réservoir de propane liquide (OFF).
- Utiliser uniquement avec du gaz de propane liquide.
- Lors du ré-alimentation en carburant, éteindre les appareils à gaz.
- Éteindre le gaz au niveau du réservoir à propane liquide, lorsque le véhicule est en déplacement. Cela permet de désactiver tous les appareils à gaz. Les appareils à gaz ne doivent jamais fonctionner lorsque le véhicule se déplace. Des mouvements d'air imprévisibles risqueraient d'entraîner un retour de flamme dans le tube du brûleur, ce qui pourra causer des endommagements par le feu. Le fusible de coupure thermique pourra également être activé accidentellement et éteindre complètement le chauffe-eau. Le système de coupure thermique devra alors être remplacé. Consulter l'entretien des chauffe-eau à allumage électronique pour plus de détails sur la coupure thermique.
- Les réservoirs à propane liquide devront être remplis uniquement par un fournisseur en gaz qualifié.

COMMENT UTILISER VOTRE CHAUFFE-EAU

ATTENTION INCENDIE

- Ne pas fumer ou tenir de flamme à proximité d'un robinet ouvert.
- L'hydrogène est hautement inflammable.

Si le chauffe-eau n'a pas été utilisé pendant plus de deux semaines, il est possible que de l'hydrogène se soit formé dans la conduite d'eau. Dans ces conditions, avant d'utiliser tout appareil électrique branché sur le système d'eau chaude, faire couler l'eau du robinet d'eau chaude de l'évier de la cuisine pendant plusieurs minutes pour réduire le risque de blessures.

En cas de présence d'hydrogène, vous entendrez probablement l'air s'échapper du tuyau, lorsque l'eau commence à couler.

AVERTISSEMENT BRÛLURES

- Ne pas toucher l'orifice ou le robinet mélangeur.

ATTENTION PANNE DE L'APPAREIL

- Ne pas faire fonctionner sans eau dans le réservoir.

⚠️ AVERTISSEMENTS IMPORTANTS POUR L'INSTALLATION

- Installer dans les véhicules de plaisance uniquement. Les véhicules de plaisance sont conçus comme résidences temporaires pour les vacances, le camping ou les voyages ; ils fonctionnent de façon autonome ou sont parfois remorqués par un autre véhicule.
- Tout l'air de combustion doit provenir de l'extérieur du véhicule de plaisance et tous les produits de la combustion doivent être évacués vers l'extérieur.
- NE PAS évacuer l'air du chauffe-eau par un système d'évacuation servant à un autre appareil.
- NE PAS évacuer l'air du chauffe-eau vers un espace extérieur couvert.
- Protéger les matériaux de construction des gaz de carneau.
- Installer le chauffe-eau sur un mur extérieur, avec une trappe d'accès donnant vers l'extérieur.
- NE modifier le chauffe-eau en AUCUNE façon.
- NE PAS modifier le chauffe-eau pour une mise à la terre positive.
- NE PAS faire d'essai diélectrique du chauffe-eau sans avoir débranché l'allumage électronique (carte de circuit imprimé).
- NE PAS utiliser de chargeur de batterie pour alimenter le chauffe-eau, même lors des essais.

USA AND CANADA - SUIVRE LES CODES NATIONAUX ET LOCAUX EN VIGUEUR - À DÉFAUT DE CODES OU RÉGLEMENTATIONS LOCAUX, SE REPORTER AUX NORMES ACTUELLES DE :

- Véhicules de plaisance ANSI A119.2/NFPA 501C.
- Code national de carburant et de gaz ANSI Z223.1 et/ou codes d'installation CAN/CGA B149.
- Norme fédérale de sécurité et de construction de maisons mobiles, titre 24 CFR, partie 3280 ; lorsque cette norme n'est pas applicable, utiliser la norme d'installation de maisons préfabriquées (Sites de maisons préfabriquées, collectivités et installation), ANSI A255.1 et/ou la série CAN/CSA-Z240 MH, maisons mobiles.
- Code électrique national ANSI/NFPA No. 70 et/ou CSA C22.1.
- Caravanes de parc A119.5.
- Norme CSA de série Z240 RV, véhicules de plaisance.
- Norme ASSE 1017 (valeur de mélange).
- Norme NSF ANSI/NSF 14-2003 (tous les tuyaux et raccords en plastique).

INSTALLATION GÉNÉRALE

Cette méthode d'installation est l'une des plus répandues pour les chauffe-eau. Il existe d'autres méthodes homologuées telles que les installations d'encastrement (MPD 93948). Consulter votre inspecteur sur le terrain, votre responsable de compte ou le service à la clientèle Atwood pour toute question supplémentaire.

1. Poser le chauffe-eau sur le sol du véhicule, avant de construire les parois latérales. Le réservoir du chauffe-eau doit toujours être positionné au même niveau que le bas de la découpe de la paroi latérale (au sol ou sur un support surélevé) FIG 2. Laisser suffisamment d'espace à l'arrière de l'unité pour permettre les réparations des raccordements d'eau.
2. L'installation du chauffe-eau sur de la moquette doit se faire avec un panneau en métal ou en bois de 7 ou 8 cm plus large et plus profond que la taille totale de l'appareil.
3. Si l'appareil est installé dans un lieu où le branchement et les fuites du réservoir risquent d'endommager les zones environnantes, installer sous le chauffe-eau un système d'écoulement (permettant l'évacuation vers l'extérieur du véhicule).

CÂBLAGE - Tous les câblages doivent être conformes aux codes électriques en vigueur.

LES MODÈLES COMBINÉS GAZ-ÉLECTRICITÉ sont conçus pour fonctionner au gaz, à l'électricité ou aux deux.

- Utiliser un conduit électrique métallique, un conduit métallique souple, un câble à blindage métallique ou un câble blindé non-métallique avec fil de masse. Le fil doit avoir une capacité supérieure ou égale à 1400 watts. La méthode de câblage doit être conforme aux sections en vigueur de l'article 551 du Code électrique national ANSI/NFPA 70.

1. Consulter le **Schéma électrique** (FIG 12). Effectuer les branchements de 120 VCA à partir du boîtier de dérivation situé au dos de l'appareil.
 - a. Brancher le fil de phase sur le noir (1).
 - b. Brancher le fil neutre sur le blanc (2).
 - c. Brancher le fil de masse de l'alimentation électrique sur le fil de masse vert (3) du boîtier de dérivation 3.

⚠️ ATTENTION ENDOMMAGEMENT DU PRODUIT

- Lorsqu'on utilise Romex® avec une mise à la terre nue, faire attention de placer le fil de mise à la terre de manière à ce qu'il n'entre pas en contact avec les bornes de l'élément de chauffe.

- Lorsqu'on utilise une connexion avec fil et fiche pour alimenter le chauffe-eau, le fil doit être homologué UL et convenir aux lieux humides et aux usages intenses et super intenses. Le fil doit être souple, de type S, SO, ST, STO, SJ, SJT, SJTO, HS ou HSO, en conformité avec le Code électrique national, ANSI/NFPA 70. La longueur du fil externe menant au chauffe-eau ne doit pas dépasser 6 pieds et ne doit pas être inférieure à 2 pieds, lorsqu'elle est mesurée à partir de la fiche. Le calibre minimum du fil d'alimentation électrique doit être de 14 AWG et la fiche doit posséder une capacité nominale de 15 ampères.

⚠️ ATTENTION

ENDOMMAGEMENTS ÉLECTRIQUES

- Lors de la réparation des commandes, étiqueter tous les fils avant de les déconnecter.
- Après toute réparation, vérifier le bon fonctionnement de l'unité.

ALLUMAGE ÉLECTRONIQUE

REMARQUE : il est recommandé de brancher l'unité directement sur une batterie de 12 VCC ou en aval du filtre du convertisseur électrique CA-CC. Éviter à tout prix les branchements en amont du convertisseur CA-CC. Utiliser un fil d'un calibre minimal de 18, homologué UL et CSA.

1. Consulter le **Schéma électrique** (FIG 12). Installer l'interrupteur de commande à distance, dans un lieu accessible. Positionner la plaque murale, les lettres debout. Avant d'effectuer les branchements, mettre l'interrupteur en position d'arrêt (OFF).
2. Brancher les fils Cf. FIG 10 & 11.

MODÈLES D'ÉCHANGE DE CHALEUR - FIG 5

1. Pousser un tuyau de système de refroidissement (glycol) d'un diamètre de 5/8 po. (5-A) [avec un collier SAE 053 A type « E »] sur le tube de l'échangeur de chaleur (5-B) et effectuer un raccordement serré.
2. Ouvrir le collier et le faire glisser vers l'échangeur de chaleur, au-delà de la rainure annulaire (5-C), puis relâcher.
3. Passer à **COMMENT UTILISER VOTRE CHAUFFE-EAU** et/ou **FONCTIONNEMENT** de l'allumage électronique.

CONTINUER L'INSTALLATION GÉNÉRALE

4. Brancher les deux conduites d'eau de 1/2 po. NPT (FIG 2), sortie femelle d'eau chaude et entrée femelle d'eau froide, et la conduite de gaz PL évasée de 3/8 po. au chauffe-eau (FIG 9).
 - a. Permettre une flexibilité suffisante des conduites d'eau et de gaz, de façon à pouvoir tirer l'unité en avant par le mur, à deux ou trois centimètres de l'enveloppe extérieure.
 - b. Étanchéiser le passage de la conduite de gaz (FIG 9) en glissant l'œillet (9-B) sur le tube de 3/8 po. (9-D) avant de l'évaser (9-E). Tirer la conduite de gaz et l'œillet par l'ouverture du logement (9-A). Brancher le raccord conique (9-C) et enfoncer l'œillet dans l'ouverture. Si la conduite de gaz est déjà évasée, couper l'œillet d'un côté. Placer l'œillet fendu sur la conduite de gaz et l'enfoncer dans l'ouverture.
 - c. Toujours appliquer du lubrifiant de tuyau sur le filet lorsqu'on raccorde les accouplements d'eau chaude et d'eau froide. Un raccord en plastique adapté est préconisé.

⚠️ ATTENTION ENDOMMAGEMENT DU PRODUIT

- NE PAS soulever, tirer ou pousser le tube du brûleur principal (FIG 3-F).

5. Construire les parois latérales et découper l'ouverture. Cf. tableau et FIG 1. Utiliser des montants de 2x2 (ou équivalent) pour l'encadrement.

DÉCOUPE (FIG 1 & 2)

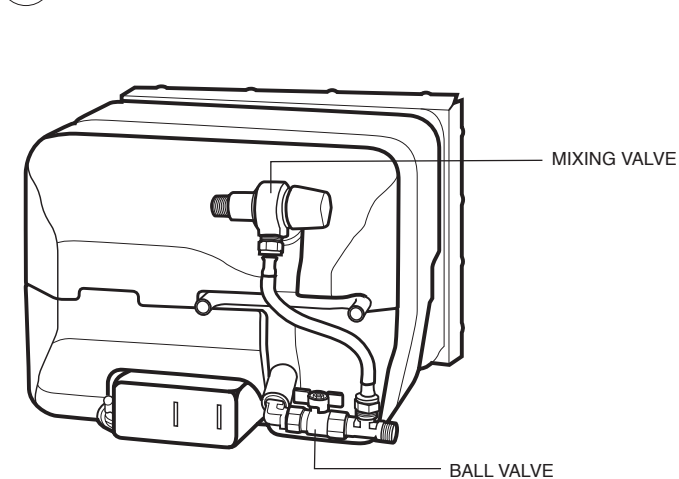
CAPACITÉ Gallons	DIMENSION DE LA DÉCOUPE		PROFONDEUR
	1-A	1-B	
6	12-5/8po.	16-1/4po.	18,5po.
10	15-3/4po.	16-1/4po.	21,75po.

DISTANCE MINIMALE PAR RAPPORT À TOUT MATÉRIAU DE CONSTRUCTION COMBUSTIBLE

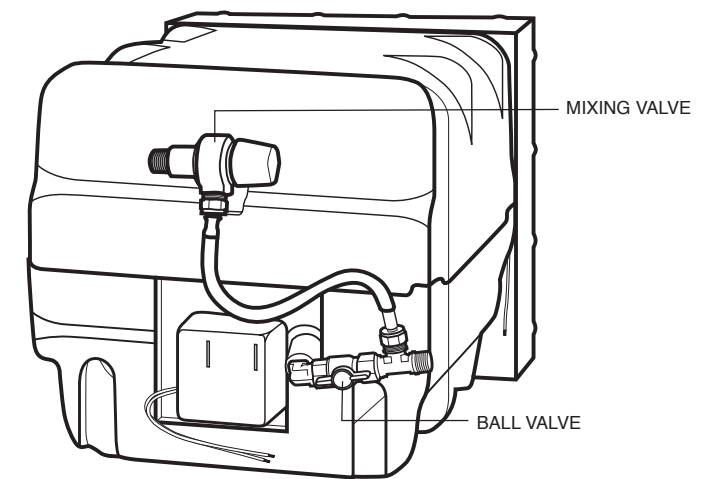
Côtés : 0 po.	Haut : 0 po.
Arrière : 0 po.	Bas : 0 po.

6. Suivre les marques et plier tous les rebords à 90° (FIG 3-A).
7. Pour éviter les fuites d'eau, appliquer du mastic tout autour de l'ouverture, y compris dans les fentes de pliage. Il est possible de substituer une bande adhésive de butyle au mastic (1-1/3 po. x 1/8 po.).

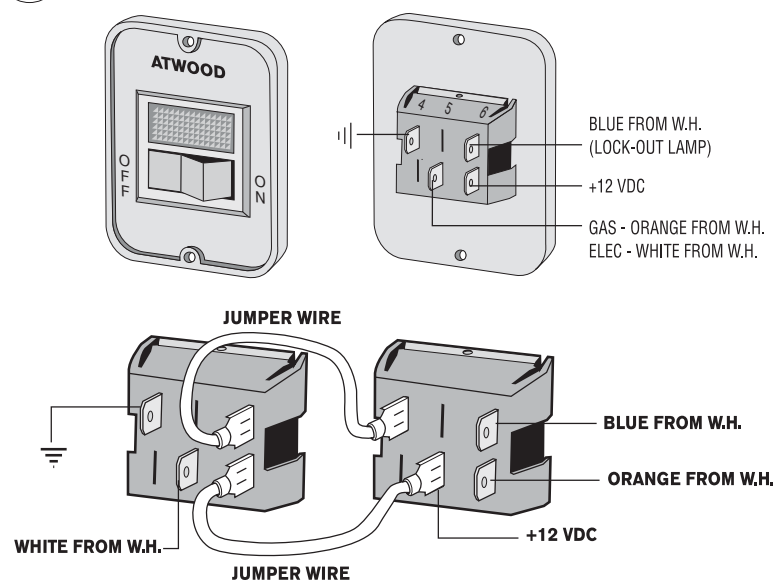
9 6 GALLON



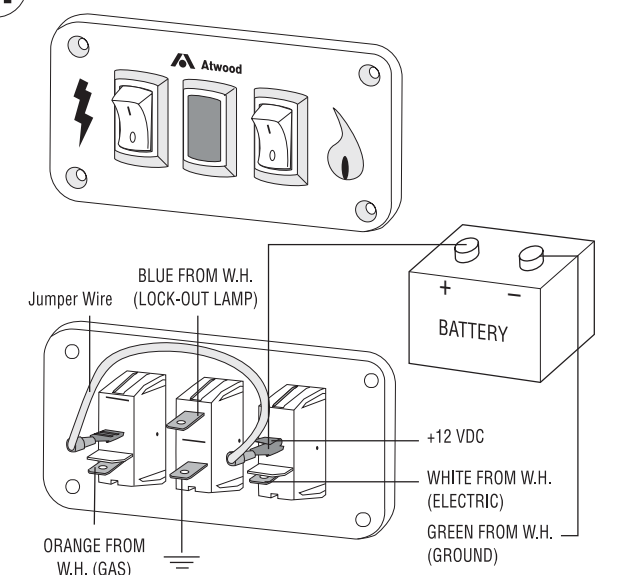
10 GALLON



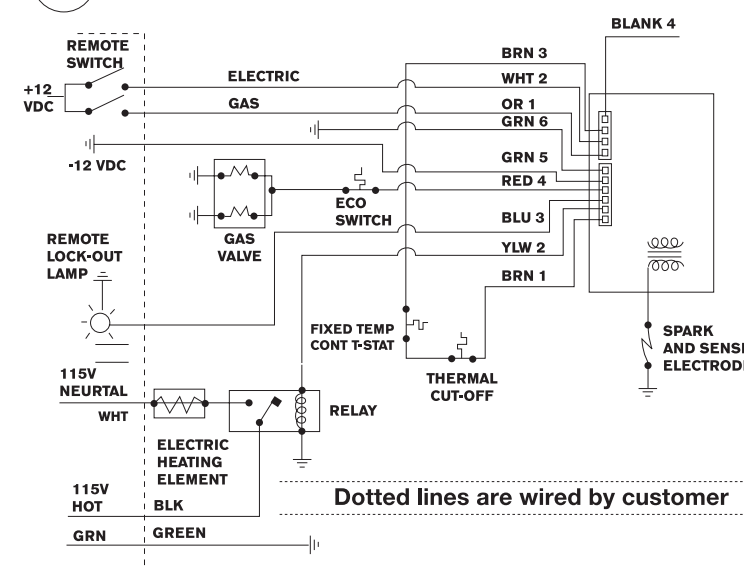
10 SINGLE SWITCH



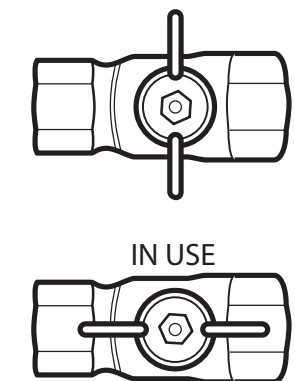
11 DUAL SWITCH



12 WIRING DIAGRAM COMBINATION GAS/ELECTRIC



13 WINTERIZED



IN USE

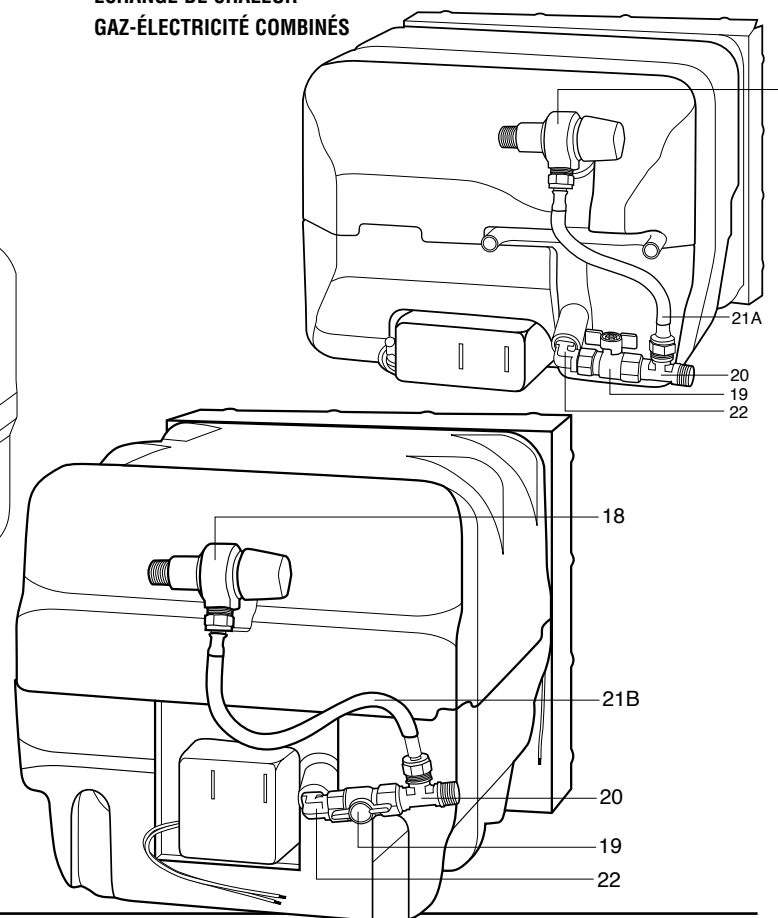
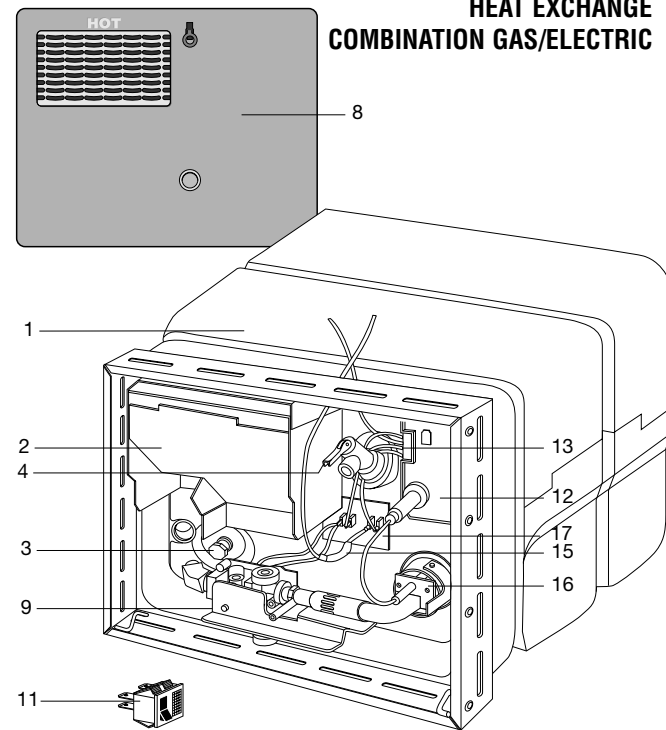


PART IDENTIFICATION

SPARK IGNITION
HEAT EXCHANGE
COMBINATION GAS/ELECTRIC

IDENTIFICATION DES PIÈCES

ALLUMAGE PAR ÉTINCELLES
ÉCHANGE DE CHALEUR
GAZ-ÉLECTRICITÉ COMBINÉS



* All tanks includes styrofoam jacket =
Tous les réservoirs comprennent une chemise de polystyrène.
X Order by model Commander selon le modèle
✓ order by color Commander selon la couleur

ITEM REFERENCE	6 GALLON 22 LITRES	10 GALLON 38 LITRES	SPARK IGNITION	ALLUMAGE PAR ÉTINCELLE
1	X	X	*Tank	*Réservoir
2	90960	90960	Flue Box Assembly	Boîtier du conduit
3	91857	91857	Drain Plug	Bouchon de vidange
4A	91604	91604	Pressure-Temperature Relief Valve 1/2" NPT	Soupape pression-température 1/2po. NPT
4B	90028	90028	Pressure-Temperature Relief Valve 3/4" NPT	Soupape pression-température 3/4po. NPT
9	93844	93844	Solenoid Valve	Électrovanne
11	91959	91959	Black on-Off Switch	Interrupteur Marche/Arrêt noir
	91859	91859	White On-Off Switch	Interrupteur Marche/Arrêt blanc
12	91226	91226	Circuit Board	Circuit imprimé
13	93191	93191	Wiring Harness	Faisceau électrique
15	93866	93866	Thermal Cut Off	Coupure thermique
16	93868	93868	Spark Probe	Détecteur d'étincelle
17	91547	91547	ECO/T-STAT (kit)	Thermostat ECO (kit)
			HEAT EXCHANGE	ÉCHANGE DE CHALEUR
1		X	*Tank	*Réservoir
			COMBINATION GAS/ELECTRIC	GAZ - ÉLECTRICITÉ COMBINÉS
1	X	X	*Tank	*Réservoir
NS	92249	92249	Heating Element & Gasket	Élément de chauffe et joint
NS	93849	93849	Relay	Relais
18	90029	90029	Mixing Valve	Robinet mélangeur
19	90030	90030	Ball Valve	Robinet à bille
20	90031	90031	Tee	Raccord en T
21A	90032		9" Hose (6 gallon)	Tuyau 9 po. (6 gallons)
21B		90033	12" Hose (10 gallon)	Tuyau 12 po. (10 gallons)
22	90034	90034	Elbow	Raccord en coude
		92690	10 Gal Replacement Valve Kit	Kit de vanne de remplacement 10 gallons

Atwood
Atwood Mobile Products LLC
1120 North Main Street • Elkhart, IN 46514
PHONE: 574-264-2131 FAX: 574-262-2550
INTERNET: <http://www.atwoodmobile.com>



NUMÉRO DE BROCHURE MPD 93050

CHAUFFE EAU AU
PROPANE LIQUIDE (PL)

6 et 10 GALLONS

Modèles XT® G9EXT, GE9EXT, GEH9EXT

G16EXT, GE16EXT, GEH16EXT

PATENT # 7,020,386

ENGLISH, FRANÇAIS (et Canada)

•Installation •Fonctionnement •Entretien

En vigueur à partir du 09/04/09

La conception de ce chauffe-eau a été homologuée par l'Association canadienne de normalisation pour installation à l'intérieur de véhicules de plaisance. **Ce chauffe-eau n'a pas été conçu pour usage sur bateaux.**

APPELS ET QUESTIONS D'ENTRETIEN

Les adresses et les numéros de téléphone des Centres de service agréés se trouvent sur notre site Internet à www.atwoodmobile.com ou composer le 574-262-2655 pour recevoir la liste par courrier.

SYMBOLES D'ALERTE DE SÉCURITÉ

Les symboles d'alerte de sécurité vous avertissent des dangers possibles. Respecter tous les messages de sécurité qui font suite à ces symboles.

AVERTISSEMENT
Évitez les blessures potentielles ou les accidents mortels

ATTENTION
Évitez les blessures potentielles et/ou les dommages matériels

L'installation et l'entretien doivent être effectués par un technicien d'entretien qualifié, un centre de service, un équipementier ou un fournisseur de gaz.

DIMENSIONS

TOUS MODÈLES /LARGEUR /HAUTEUR /PROFONDEUR	POIDS À L'ENVOI	
6 GALLONS	16po.	25 lbs
10 GALLONS	16po.	32 LBS

AVERTISSEMENT INCENDIE OU EXPLOSION

• Ne pas suivre à la lettre les instructions contenues dans ce manuel risque d'entraîner un incendie ou une explosion et des dégâts matériels, des blessures, voire la perte de vie humaine.

➤ Ne pas entreposer ni utiliser de carburant ou autres liquides et vapeurs inflammables à proximité de cet appareil ou de tout autre appareil.

QUE FAIRE SI VOUS SENTEZ DU GAZ ?

- Évacuer TOUS les passagers du véhicule.
- Couper l'alimentation en gaz au niveau du réservoir ou à la source.
- NE toucher AUCUN interrupteur électrique, n'utiliser ni le téléphone, ni la radio à l'intérieur du véhicule.
- NE PAS démarrer le véhicule ou le générateur électrique.
- Contacter le fournisseur en gaz ou le technicien d'entretien qualifié le plus proche pour effectuer toute réparation.
- S'il est impossible de joindre un fournisseur en gaz ou un technicien d'entretien qualifié, contacter la caserne de pompiers la plus proche.
- NE PAS ouvrir l'alimentation en gaz avant que la ou les fuites soient réparées.

Atwood XT® Water Heaters
Advanced Water Heater System Featuring Exothermal Technology

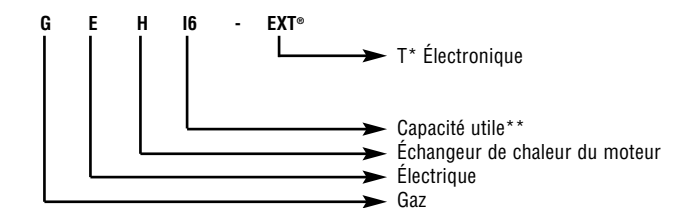
H₂O^T

CHAUFFE EAU	IDENTIFICATION DU MODÈLE	1
	DIMENSIONS	1
	POIDS	1

INFORMATIONS SUR LA SÉCURITÉ

INSTALLATION GÉNÉRALE du chauffe-eau	
Câblage	
Tableau de découpe	
Soupape de sécurité de type pression-température	
Consignes de sécurité destinées au consommateur	2
Comment utiliser votre chauffe-eau	3-4
Instructions pour l'entretien	4
Entretien préventif	4
Instructions pour l'hivernage (rinçage)	5
Soupape de sécurité de type pression-température	5
Rinçage pour éliminer les mauvaises odeurs	5
FIGURES	6-7
IDENTIFICATION DES PIÈCES	8
GARANTIE du chauffe-eau	16

EXPLICATION DU NUMÉRO DE MODÈLE



* EXT* se rapporte à la technologie électronique exothermique (XT).

** La capacité réelle du chauffe-eau est de 6 ou 10 gallons. La capacité utile, calculée sur la base des gallons d'eau à 130° F, est de 9 et 16 gallons.